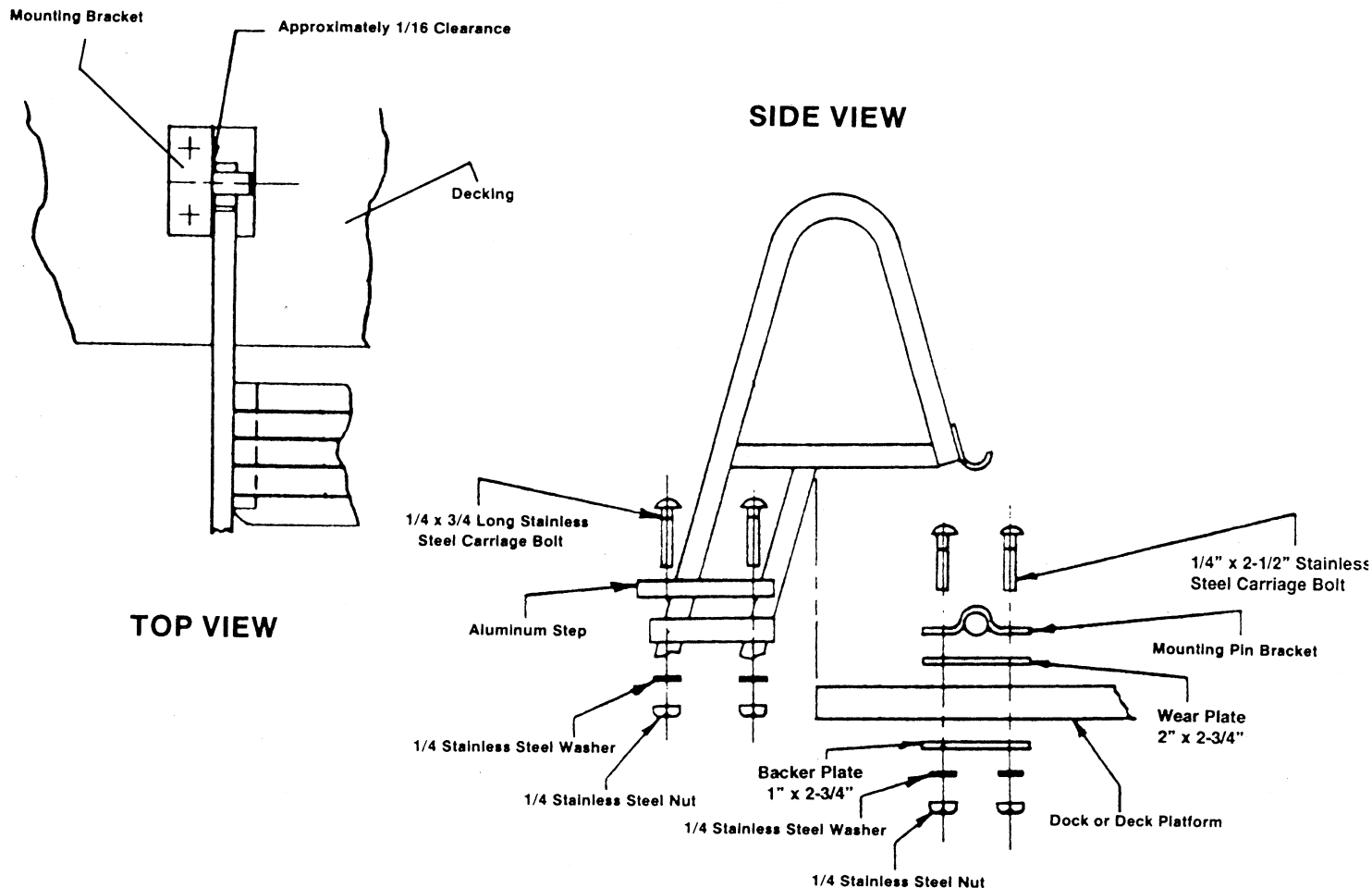


# INSTALLATION INSTRUCTIONS for BOARDING LADDER



## INSTRUCTIONS

- 1.) ASSEMBLE STEPS TO LADDER SIDES USING 1/4" X 3/4" CARRIAGE BOLT, HEX NUT AND WASHER. DO NOT TIGHTEN NUTS UNTIL ALL STEPS ARE BOLTED IN PLACE.
- 2.) PLACE VERTICAL PORTION OF LADDER TIGHT TO SIDE OF DOCK, PONTOONS OR SWIM DECK AS SHOWN.
- 3.) PLACE BRACKET UP TO SIDE OF LADDER WITH APPROXIMATELY 1/16 OF AN INCH BETWEEN BRACKET AND LADDER AND SPOT HOLES. REMOVE BRACKET AND DRILL THROUGH WITH 5/16" DRILL.
- 4.) FASTEN BRACKET IN PLACE MAKING SURE WEAR PLATE IS BETWEEN BRACKET AND DECKING. THEN PLACE LADDER IN POSITION AND LOCATE SECOND BRACKET IN THE SAME MANNER AS THE FIRST ONE.
- 5.) LEAVE LADDER IN POSITION WHILE YOU TIGHTEN BOTH MOUNTING PIN BRACKETS.
- 6.) TO REMOVE LADDER, SIMPLY PIVOT UP AWAY FROM DOCK OR DECK AND SLIDE LADDER FROM UNDER MOUNTING PINS.
- 7.) TO FASTEN LADDER, HOLD IN PARALLEL POSITION TO THE DECK AND PUSH/PULL IN UNTIL THE TWO HOOKS ARE LOCKED AND LOWER LADDER INTO POSITION...SELF LOCKING.

**ALUMI-SPAN, INC.**